

IASO®

Better Outside

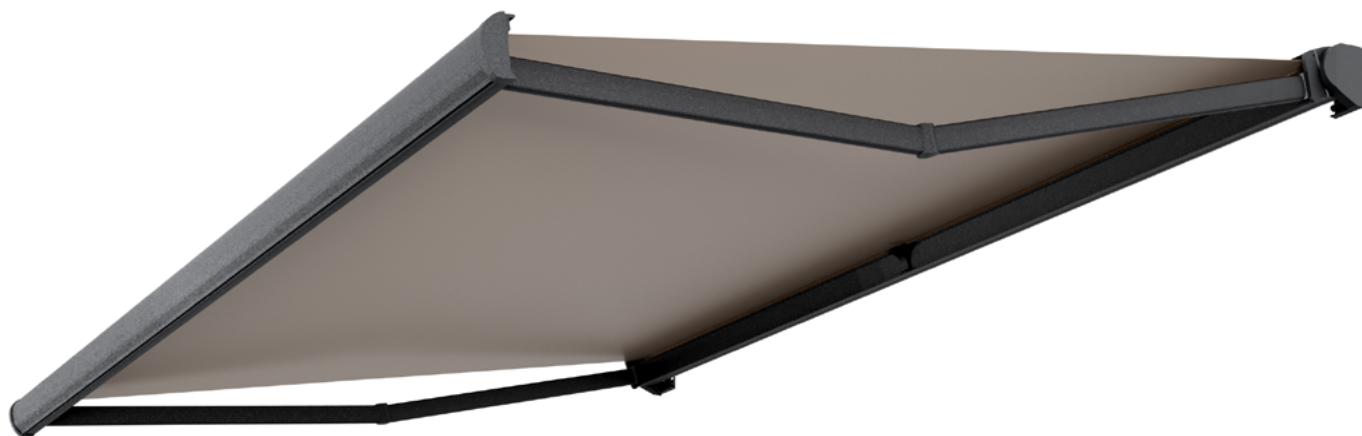
TECHNICAL DATA SHEET

ENGLISH

AWNINGS

WITH BOX

SOLARA



INDEX	—	02 DESCRIPTION
		02 TECHNICAL CHARACTERISTICS
		02 INSTALLATION
		02 LIGHTING
		03 EXPLODED VIEW
		04 SUPPORT DIMENSIONS
		05 PROJECTION DIAGRAM
		06 MINIMAL SIZE
		06 PRODUCT CLASSIFICATION
		06 PRECIPITATION CLASSIFICATION
		06 WIND CLASSIFICATION
		07 MOTOR COMPATIBILITY
		07 MOTOR-TUBE COMPATIBILITY (Ø)
		07 MOTORISATION
		08 ACRYLIC / PLASTIC FABRIC CONFIGURATION
		09 EMITTERS

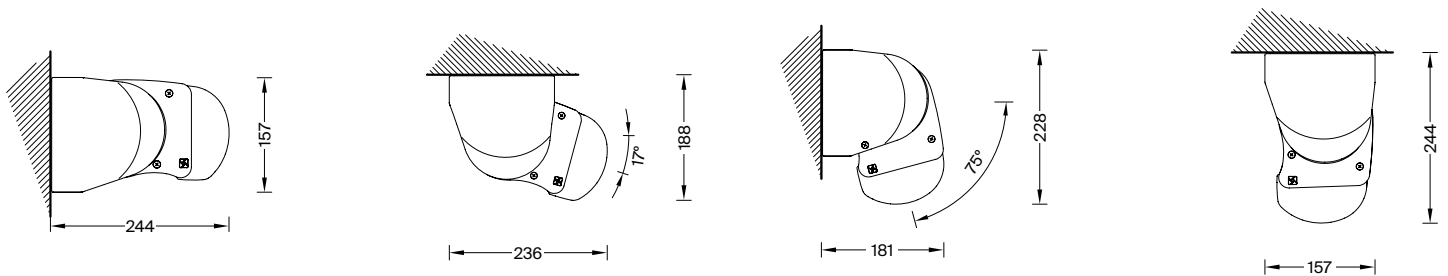
DESCRIPTION

Full-cassette awning with an aerodynamic profile featuring smooth, rounded lines that create a highly attractive and harmonious ensemble. This technically advanced extendable awning offers maximum performance in protection and comfort for your home or business. An innovative proposal designed to meet the highest demands.

TECHNICAL CHARACTERISTICS

- Structure : Aluminium 6063-T5, for the profiles
- Screws and fittings: AISI 304 Stainless and galvanised steel

INSTALLATION

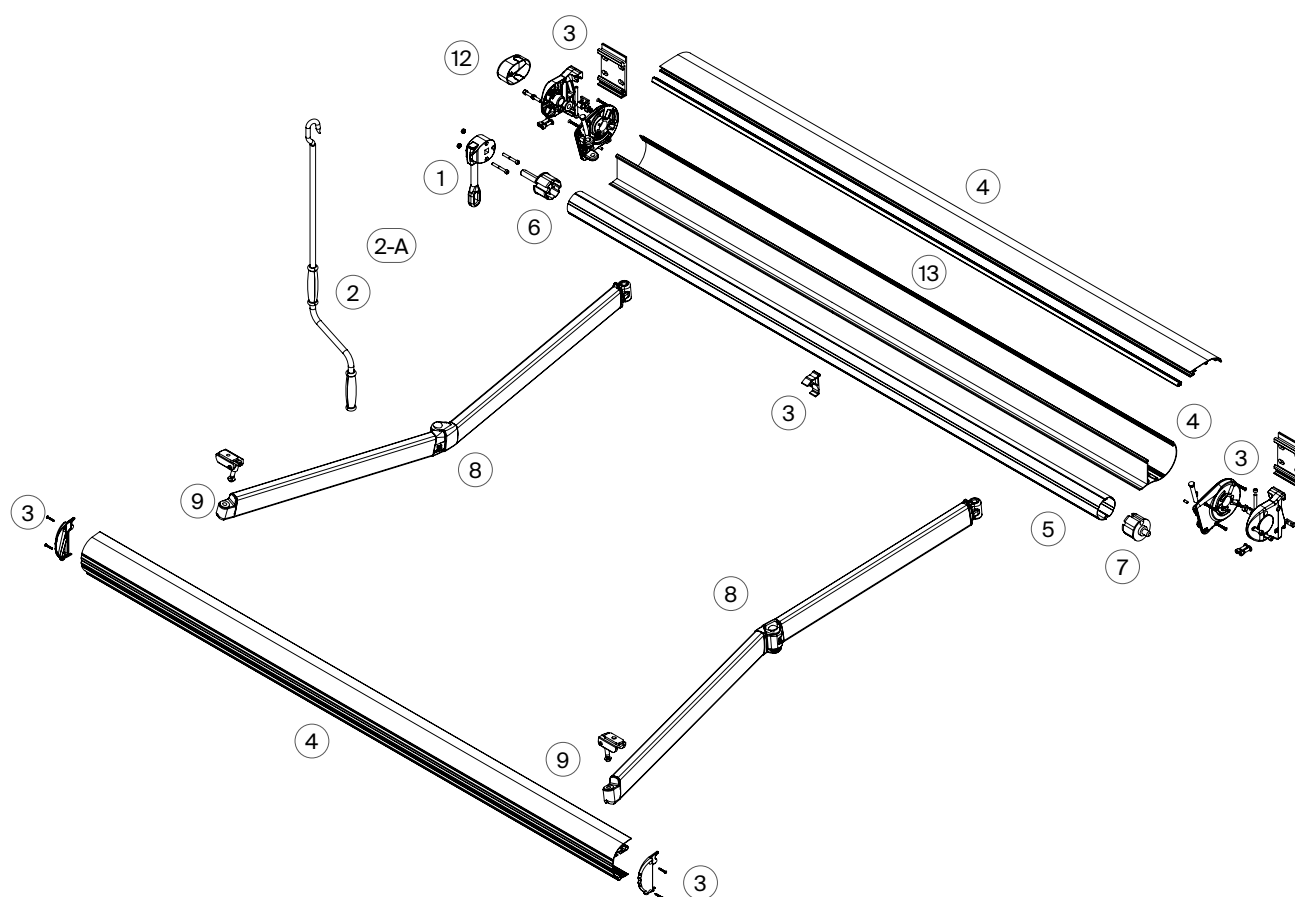


Front - Ceiling Fixing
Inclination 0° - 15° - 75° - 90°

LIGHTING

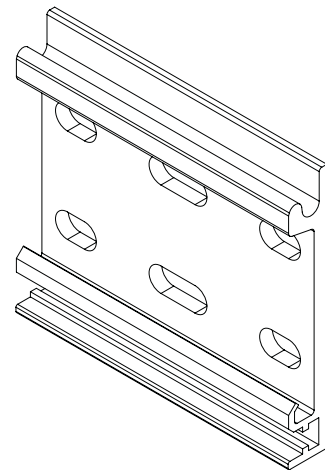
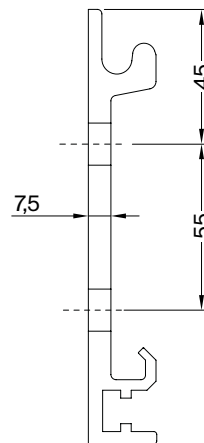
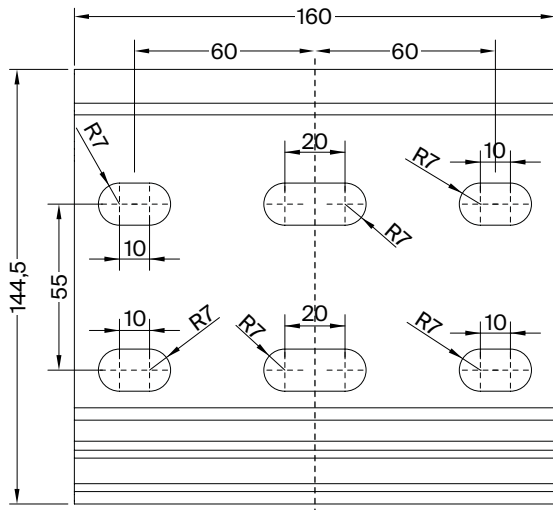
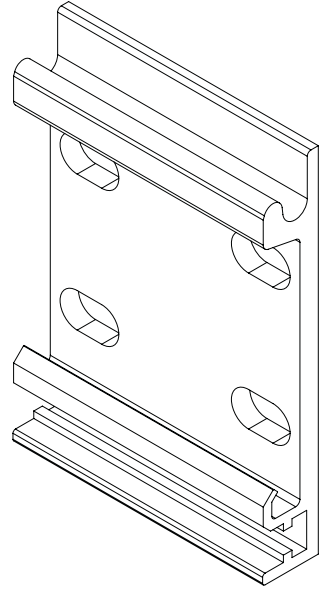
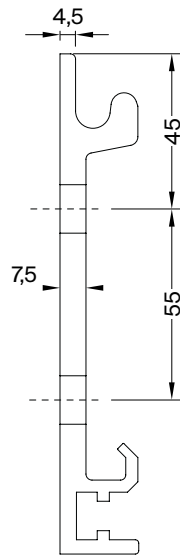
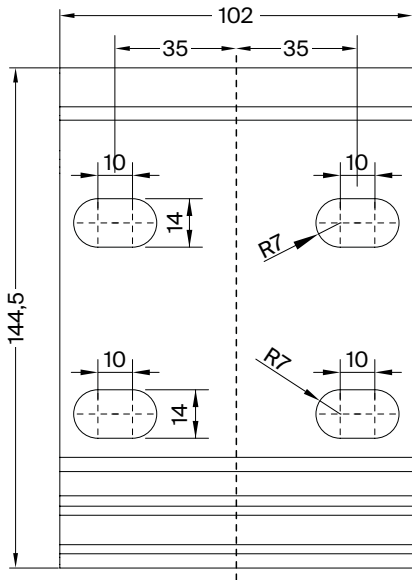
ARMS	CASSETTE	SIDE LIDS
Yes	No	No

EXPLODED VIEW



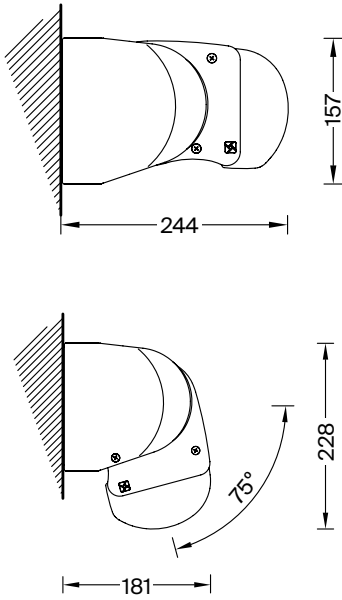
- 1 Reducer mechanism
- 2 Crack handle
- 2-A Crack handle support
- 3 Complete support kit
- 4 "Base Plus" Profile kit
- 5 Roll bar
- 6 Bushing with square axle 13x70 mm
- 7 Bushing with round axle Ø14x20 mm
- 8 Arms with cable "Spin"
- 9 Sliders for arms "Spin"
- 12 Reducer mechanism cover 9:1
- 13 Rubber

SUPPORT DIMENSIONS

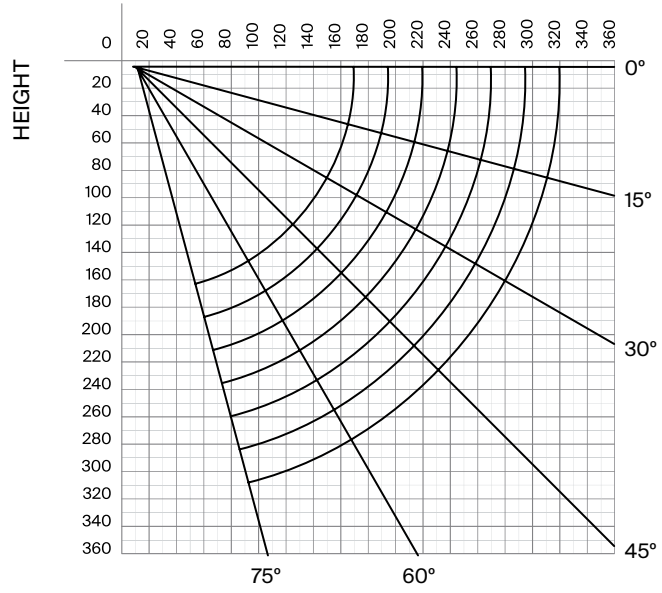


PROJECTION DIAGRAM

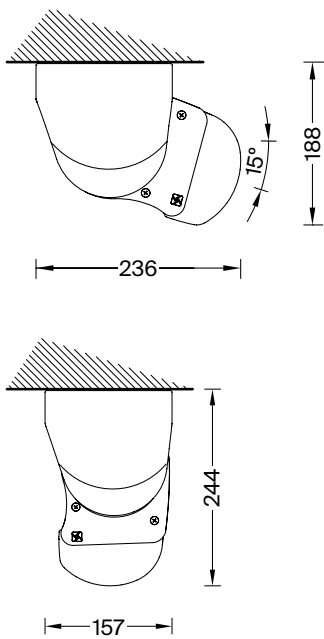
WALL MOUNTING



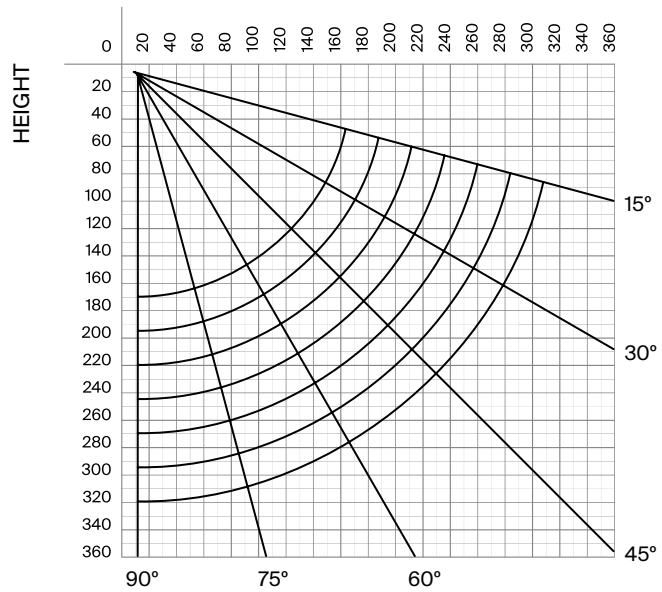
PROJECTION




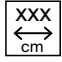
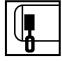

CEILING MOUNTING



PROJECTION





MINIMAL SIZE

		160	185	210	235	260	285	310
		191	216	241	266	291	316	341
		194	219	244	269	294	319	344

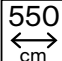
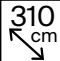
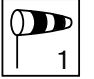

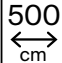
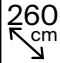
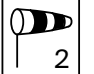

 Awning projection

 Awning width

 Internal reducer mechanism

 External reducer mechanism

PRODUCT CLASSIFICATION

PRECIPITATION CLASSIFICATION



CLASS	Average intensity in one hour (mm/h)	Environmental condition
1	≤ 2	Weak
2	> 2 y ≤ 15	Moderate

WIND CLASSIFICATION



CLASS	Grade Beaufort	Wind speed		Pressure	Environmental condition
1	0	0 - 1 km/h	0.0 - 0.3 m/s	0.05 N/m ²	Calm
	1	1 - 5 km/h	0.3 - 1.4 m/s	1.21 N/m ²	Very light breeze
	2	6 - 11 km/h	1.7 - 3.1 m/s	5.84 N/m ²	Light breeze
	3	12 - 19 km/h	3.4 - 5.3 m/s	17.41 N/m²	Gentle breeze
2	4	20 - 28 km/h	5.6 - 7.8 m/s	37.81 N/m²	Moderate wind
3	5	29 - 38 km/h	8.1 - 10.6 m/s	69.64 N/m ²	Fresh wind

MOTOR COMPATIBILITY

COMPATIBLE MOTOR	
Somfy Sunea io	Simu K7 Star

MOTOR-TUBE COMPATIBILITY (Ø)

MOTOR TORQUE (Nm)	MOTOR (mm)	TUBE (mm)
≤50	Ø50	Ø70 y Ø80
>50	Ø60	Ø80

MOTORISATION (Nm)

Motor Torque (Nm)	WIDTH (m)							
PROJECTION (m)	2,50	3,00	3,50	4,00	4,50	5,00	5,50	6,00
1,60	30	30	30	30	30	30	30	30
1,85		30	30	30	30	30	30	30
2,10		30	30	30	30	30	30	30
2,35			35	35	35	35	35	35
2,60			35	35	35	35	35	35
2,85				40	40	40	40	40
3,10				40	40	40	40	50

ACRYLIC FABRIC CONFIGURATION

PROJECTION (m)	WIDTH (m)							
	2,50	3,00	3,50	4,00	4,50	5,00	5,50	6,00
1,60	2/2/70/ LSC	2/2/70/ LSC	2/2/70/ LSC	2/2/70/ LSC	2/2/70/ LSC	2/2/70/ LSC	2/2/70/ LSC	2/2/70/ LSC
1,85		2/2/70/ LSC	2/2/70/ LSC	2/2/70/ LSC	2/2/70/ LSC	2/2/70/ LSC	2/2/70/ LSC	2/2/70/ LSC
2,10		2/2/70/ LSC	2/2/70/ LSC	2/2/70/ LSC	2/2/70/ LSC	2/2/70/ LSC	2/2/70/ LSC	2/2/70/ LSC
2,35			2/2/70/ LSC	2/2/70/ LSC	2/2/70/ LSC	2/2/70/ LSC	2/2/70/ LSC	2/2/70/ LSC
2,60			2/2/70/ LSC	2/2/70/ LSC	2/2/70/ LSC	2/2/70/ LSC	2/2/70/ LSC	2/2/70/ LSC
2,85				2/2/70/ LSC	2/2/70/ LSC	2/2/70/ LSC	2/2/70/ LSC	2/2/70/ LSC
3,10				2/2/70/ LSC	2/2/70/ LSC	2/2/70/ LSC	2/2/70/ LSC	2/2/70/ LSC

* Arms / Supports / Ø Roller tube / Front bar

PLASTIC FABRIC CONFIGURATION

PROJECTION (m)	WIDTH (m)							
	2,50	3,00	3,50	4,00	4,50	5,00	5,50	6,00
1,60	2/2/80/ LSC	2/2/80/ LSC	2/2/80/ LSC	2/2/80/ LSC	2/2/80/ LSC	2/2/80/ LSC	2/2/80/ LSC	2/2/80/ LSC
1,85		2/2/80/ LSC	2/2/80/ LSC	2/2/80/ LSC	2/2/80/ LSC	2/2/80/ LSC	2/2/80/ LSC	2/2/80/ LSC
2,10		2/2/80/ LSC	2/2/80/ LSC	2/2/80/ LSC	2/2/80/ LSC	2/2/80/ LSC	2/2/80/ LSC	2/2/80/ LSC
2,35			2/2/80/ LSC	2/2/80/ LSC	2/2/80/ LSC	2/2/80/ LSC	2/2/80/ LSC	2/2/80/ LSC
2,60			2/2/80/ LSC	2/2/80/ LSC	2/2/80/ LSC	2/2/80/ LSC	2/2/80/ LSC	2/2/80/ LSC
2,85				2/2/80/ LSC	2/2/80/ LSC	2/2/80/ LSC	2/2/80/ LSC	2/2/80/ LSC
3,10				2/2/80/ LSC	2/2/80/ LSC	2/2/80/ LSC	2/2/80/ LSC	2/2/80/ LSC

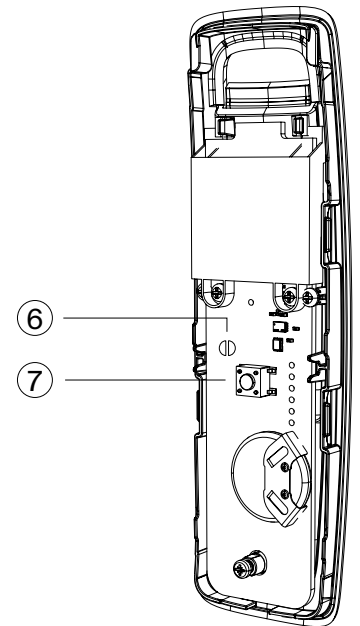
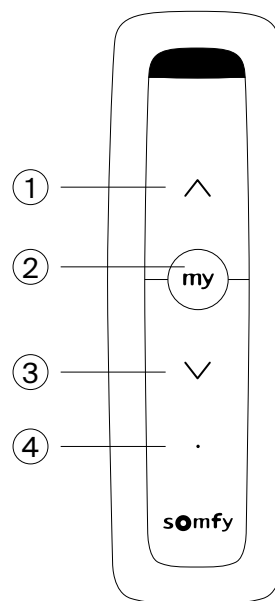
* Arms / Supports / Ø Roller tube / Front bar

EMITTERS

SOMFY SITUO 1

Frequency	IO 868 MHz
Gutters	1
Power supply	CR2032 3V
Operating range	50 m (20 m interior)
Protection rating	IP30
Dimensions	139 × 42 × 16 mm

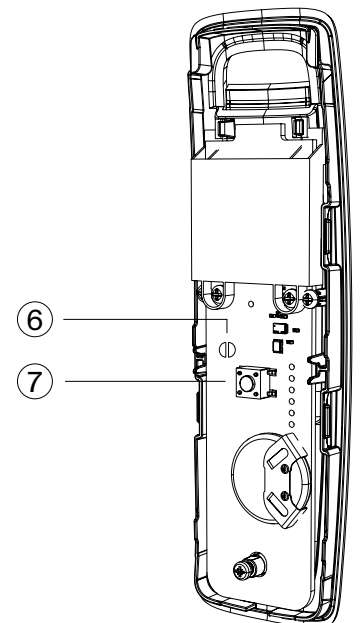
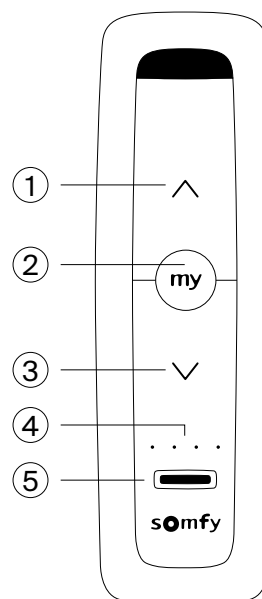
- ① Up/On/Open button
- ② STOP/my button
- ③ Down/Off/Close button
- ④ Button activation indicator light
- ⑥ PROG button
- ⑦ Specific autonomous mode selector



SOMFY SITUO 5

Frequency	IO 868 MHz
Gutters	5
Power supply	CR2430 3V
Operating range	50 m (20 m interior)
Protection rating	IP30
Dimensions	139 × 42 × 16 mm

- ① Up/On/Open button
- ② STOP/my button
- ③ Down/Off/Close button
- ④ Button activation and group selection indicator light
- ⑤ Group selector
- ⑥ PROG button
- ⑦ Specific autonomous mode selector

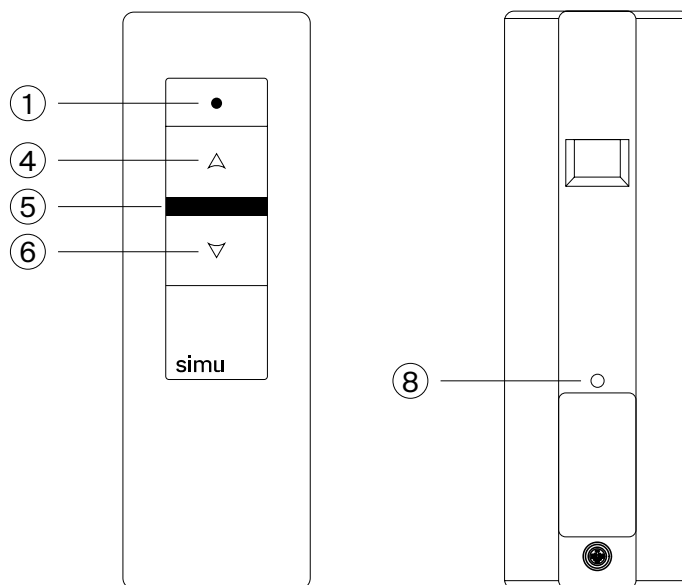


* Somfy transmitters are exclusively compatible with Somfy motors, and Simu transmitters exclusively with Simu motors.

SIMU MOBILE 1C

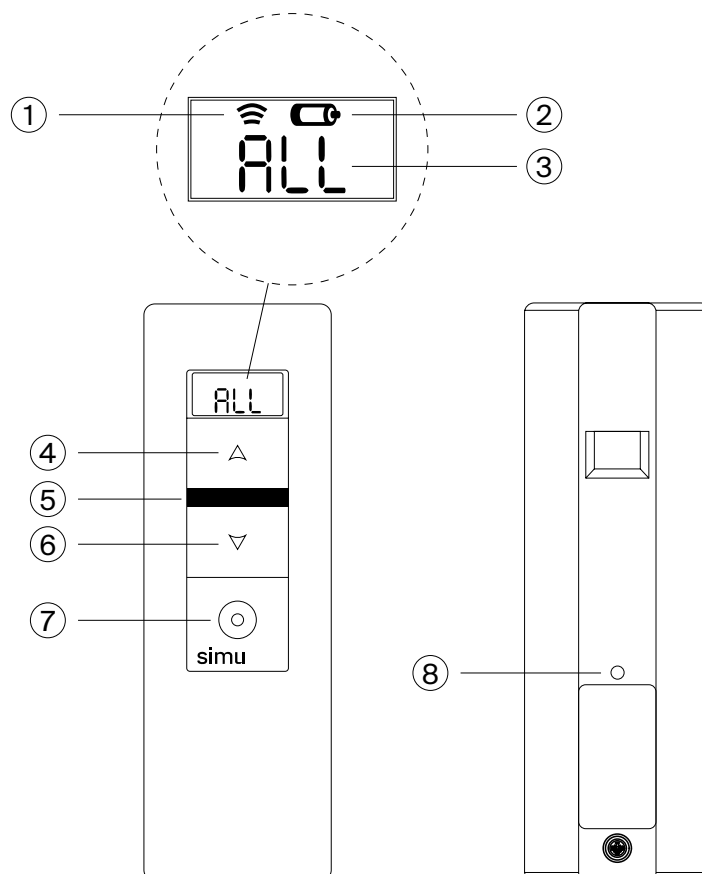
Frequency	433,42 MHz
Gutters	1
Power supply	CR2430 3V
Operating range	50 m (20 m interior)
Protection rating	IP30
Dimensions	125 x 40 x 15 mm

- ① Transmission indicator
- ④ UP control button
- ⑤ STOP / P.I. control button
- ⑥ DOWN control button
- ⑧ Programming button "PROG"

**SIMU MOBILE 5C**

Frequency	433,42 MHz
Gutters	5
Power supply	CR2430 3V
Operating range	50 m (20 m interior)
Protection rating	IP30
Dimensions	125 x 40 x 15 mm
Screen	Yes

- ① Transmission indicator
- ② Low battery indicator
- ③ Selected channel: 1, 2, 3, 4, 5 or All
- ④ UP control button
- ⑤ STOP / P.I. control button
- ⑥ DOWN control button
- ⑦ Selection button
- ⑧ Programming button "PROG"





We believe in the *elegance* of engineering.